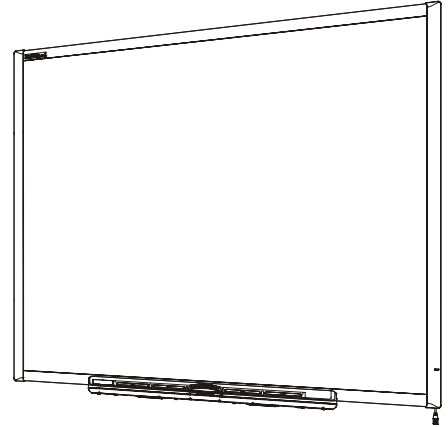


# SMART Board™ Interactive Whiteboard

## Specifications – Model 680

### Physical Specifications

<b>Size</b>	65 1/4" W x 49 1/2" H x 5 1/8" D (165.7 cm x 125.7 cm x 13 cm)
<b>Active Screen Area</b> (maximum interactive, projected image)	61 5/8" W x 46 1/8" H (156.5 cm x 117.2 cm) 77" diagonal (195.6 cm)
<b>FS670 Floor Stand</b> (with SB680 Installed)	65 1/4" W x 67 3/4" to 81 3/4" H x 40 1/4" D (165.7 cm x 172.4 cm to 208 cm x 102.5 cm)
<b>Weight</b>	30 lb. (13.6 kg)
<b>Shipping Weight</b>	
1 unit	45 lb. (20.5 kg)
8 units on pallet	380 lb. (172.7 kg)
<b>Shipping Size</b>	
1 unit	73 1/2" W x 54" H x 5 1/2" D (186.7 cm x 137.2 cm x 14 cm)
8 units on pallet	55" W x 78 1/2" H x 45" D (139.7 cm x 199.4 cm x 114.3 cm)



All dimensions +/- 1/8" (3.2 mm). All weights +/- 2 lb. (0.9 kg).

### Standard Features

<b>Software</b>	SMART Notebook software included. See the <a href="#">SMART Notebook software specifications</a> for a complete list of system requirements. Software upgrades are available at <a href="http://www2.smarttech.com/st/en-US/Support/SBS/">www2.smarttech.com/st/en-US/Support/SBS/</a> .
<b>Pen Tray</b>	Optical sensors in the pen tray detect when a pen or eraser is lifted from the tray. LEDs show the active tool.
<b>Pens and Eraser</b>	Black, blue, red and green pen tray pens, and a rectangular eraser
<b>Resolution</b>	Touch resolution is approximately 4000 x 4000.
<b>Screen Surface</b>	The hard-coated polyester surface is tear proof, optimized for projection, compatible with dry-erase markers and easily cleaned with whiteboard cleaner.
<b>Digitizing Technology</b>	Resistive
<b>Frame Finish</b>	Two-tone gray (approximates Pantone® Charcoal Gray 18-0601 TPX) and Ultrasonic Chrome (approximates metallic Pantone 877 C)
<b>Wall-Mount Bracket</b>	32" (81.3 cm) wide with five screws and drywall anchors to support a wall-mounted interactive whiteboard
<b>Computer Connection</b>	16' (5 m) USB 2.0 cable
<b>Power Requirements</b>	Power is obtained from the computer directly through the USB cable for Windows®, Mac and Linux® computers. Power consumption is less than 1.5 W (300mA at 5V).
<b>Certifications and Compliance</b>	CSA (U.S./Canada), CE, CB (TUV), RoHS (China), RoHS (Europe), WEEE
<b>Warranty</b>	Five-year limited equipment warranty upon registration. See warranty document for details.

**NOTE:** A digital projector is not included with this model of SMART Board interactive whiteboard. To take advantage of all interactive features, you must integrate a digital projector.

**Storage and Operating Specifications**

<b>Storage</b>	-40°F to 120°F (-40°C to 50°C)
<b>Operation</b>	41°F to 95°F (5°C to 35°C) with up to 80% humidity non-condensing

**SMART Order Number**

<b>SB680</b>	77" (195.6 cm) diagonal SMART Board Interactive Whiteboard
--------------	--

**Optional Accessories**

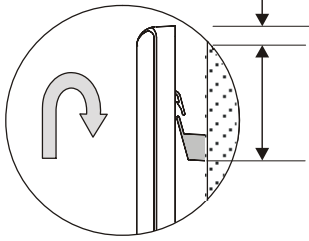
<b>Part Number</b>	<b>Description</b>	<b>NA</b>	<b>UK</b>	<b>EU</b>	<b>AU</b>
<b>CCJ680</b>	Padded cover with handles for the SMART Board 680 interactive whiteboard				
<b>HSCJ-680</b>	Hard shipping case for the SMART Board 680 interactive whiteboard and the FS670 floor stand				
<b>FS670</b>	Mobile floor stand with 4" (10.2 cm) lockable casters and flip-up anti-tip feet				
<b>WMCM-680</b>	Wall-mounted cabinet for the SMART Board 680 interactive whiteboard				
<b>PMWT-680</b>	Projector wall mount for an NEC WT600 or WT610 projector				
<b>RS232-XX*</b>	RS-232 to USB conversion module that allows a serial connection to the interactive whiteboard as an alternative to USB	✓	✓		
<b>WC6-XX*</b>	Wireless Bluetooth® connection between the SMART Board interactive whiteboard and the computer	✓	✓		
<b>SBA-XX*</b>	USB audio system with two 15 W speakers that mount to the interactive whiteboard or wall	✓	✓		✓
<b>SYSON6-XX*</b>	SystemOn expansion module wakes up the computer and turns on the projector with one button press	✓	✓		
<b>USB-GW</b>	GoWire™ SMART Board software auto-launch USB cable				
<b>USB-XT</b>	16' (5 m) USB active extension cable				
<b>CAT5-XT</b>	USB to Cat 5 cable extender set				
<b>RPEN-ER</b>	Replacement set of four pen tray pens (black, red, blue and green), and a rectangular eraser				
<b>RPEN</b>	Replacement set of four pen tray pens (black, red, blue and green)				

\*Part numbers ending in XX have power supplies for those countries or regions, as indicated by ✓ in the columns to the right. When ordering, substitute the XX in the part number with the country code as follows:

- NA = U.S. and Canada
- UK = United Kingdom
- EU = European Union
- AU = Australia

## Specifications – Model 680

Leave at least 5/8" (1.6 cm) headroom to wall mount the SB680

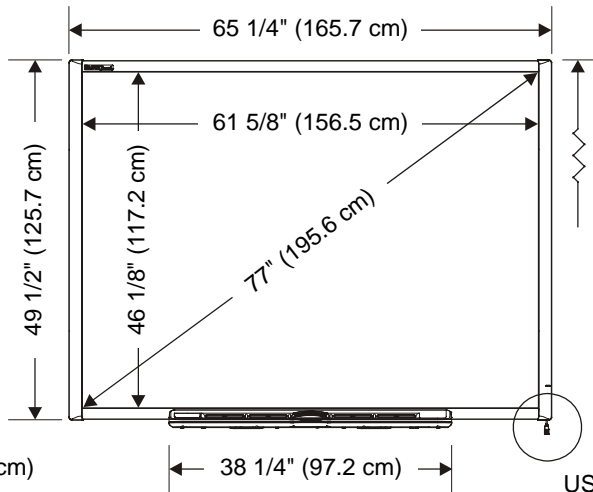


Distance from the bottom of the wall mount bracket to the top of an installed interactive whiteboard is 4 1/4" (10.8 cm)



**Wall Mounted  
Cut Away View**

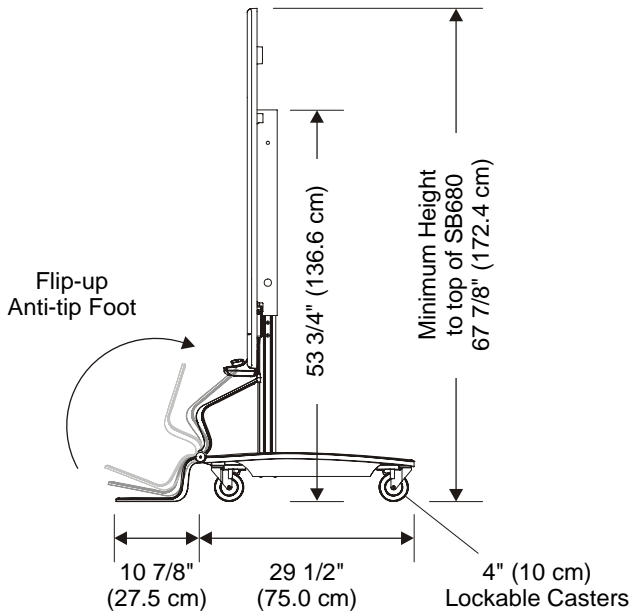
**Wall Mounted  
Side View**



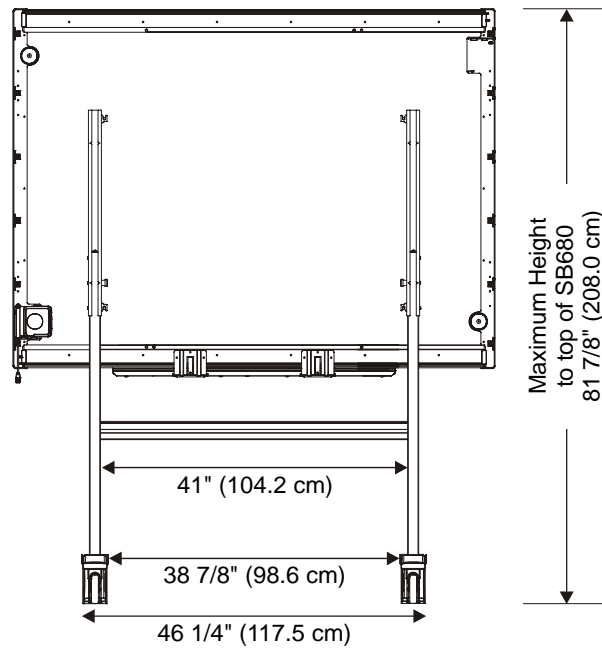
Recommended wall-mounted installation height to top of SB680 for average sized adults is 81 3/4" (207.6 cm)

USB Connection Location

**Wall Mounted  
Front View**



**Floor Stand Mounted  
Side View  
(lowest position)**



**Floor Stand Mounted  
Back View  
(highest position)**



All dimensions +/- 1/8" (0.3 cm)