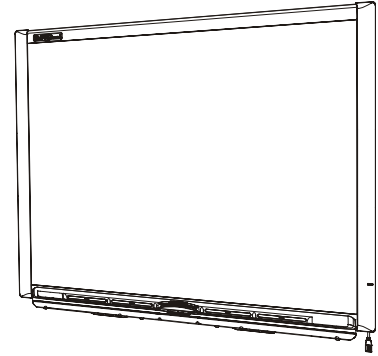


SMART Board™ Interactive Whiteboard

Specifications – Model 640

Physical Specifications

Size	42" W x 32" H x 5 1/8" D (106.7 cm x 81.3 cm x 13 cm)
Active Screen Area (maximum interactive, projected image)	38 3/8" W x 28 3/4" H (97.5 cm x 73 cm) 48" (121.9 cm) diagonal
FS640 Floor Stand (with SB640 Installed)	42" W x 52 3/4" to 66 3/4" H x 40 3/8" D (106.7 cm x 134 cm to 169.6 cm x 102.5 cm)
Weight	14 lb. 12 oz. (6.7 kg)
Shipping Weight	
1 unit	25 lb. (11.4 kg)
8 units on pallet	216 lb. (98.2 kg)
Shipping Size	
1 unit	46" W x 46 1/2" H x 5 1/2" D (116.8 cm x 118.1 cm x 14 cm)
8 units on pallet	47" W x 51 1/2" H x 45" D (119.4 cm x 130.8 cm x 114.3 cm)



All dimensions +/- 1/8" (3.2 mm). All weights +/- 2 lb. (0.9 kg).

Standard Features

Software	SMART Notebook software included. See the SMART Notebook software specifications for a complete list of system requirements. Software upgrades are available at www2.smarttech.com/st/en-US/Support/SBS/ .
Pen Tray	Optical sensors in the pen tray detect when a pen or eraser is lifted from the tray. LEDs show the active tool.
Pens and Eraser	Black, blue, red and green pen tray pens and a rectangular eraser
Resolution	Touch resolution is approximately 4000 x 4000.
Screen Surface	The hard-coated polyester surface is tear proof, optimized for projection, compatible with dry-erase markers and is easily cleaned with whiteboard cleaner.
Digitizing Technology	Resistive
Frame Finish	Two-tone gray (approximates Pantone® Charcoal Gray 18-0601 TPX) and Ultrasonic Chrome (approximates metallic Pantone 877 C)
Wall-Mount Bracket	32" (81.3 cm) wide with five screws and drywall anchors to support a wall-mounted interactive whiteboard
Computer Connection	16' (5 m) USB 2.0 cable
Power Requirements	Power is obtained from the computer directly through the USB cable for Windows®, Mac and Linux® computers. Power consumption is less than 1.5 W (300mA at 5V).
Certifications and Compliance	CSA (U.S./Canada), CE, CB (TUV), RoHS (China), RoHS (Europe), WEEE
Warranty	Five-year limited equipment warranty upon registration. See warranty document for details.

NOTE: A digital projector is not included with this model of SMART Board interactive whiteboard. To take advantage of all interactive features, you must integrate a digital projector.

Storage and Operating Specifications

Storage	-40°F to 120°F (-40°C to 50°C)
Operation	41°F to 95°F (5°C to 35°C) with up to 80% humidity non-condensing

SMART Order Number

SB640	48" (121.9 cm) diagonal SMART Board interactive whiteboard
--------------	--

Optional Accessories

Part Number	Description	NA	UK	EU	AU
CB6	Firm-sided carrying bag for the SMART Board 640 interactive whiteboard				
CBJ-640	Padded carrying bag for the SMART Board 640 interactive whiteboard and the TS640 table stand				
HSCJ-640	Hard shipping case for the SMART Board 640 interactive whiteboard and the TS640 table stand				
FS640	Mobile floor stand with 4" (10.2 cm) lockable casters and flip-up anti-tip feet				
TS640	Table stand installs quickly to allow the SMART Board 640 interactive whiteboard to be used on a table				
RS232-XX*	RS-232 to USB conversion module that allows a serial connection to the interactive whiteboard as an alternative to USB	✓	✓		
WC6-XX*	Wireless Bluetooth® connection between the SMART Board interactive whiteboard and the computer	✓	✓		
SBA-XX*	USB audio system with two 15 W speakers that mount to the interactive whiteboard or wall	✓	✓		✓
SYSON6-XX*	SystemOn expansion module wakes up the computer and turns on the projector with one button press	✓	✓		
USB-GW	GoWire™ SMART Board software auto-launch USB cable				
USB-XT	16' (5 m) USB active extension cable				
CAT5-XT	USB to Cat 5 cable extender set				
RPEN-ER	Replacement set of four pen tray pens (black, red, blue and green) and rectangular eraser				
RPEN	Replacement set of four pen tray pens (black, red, blue and green)				

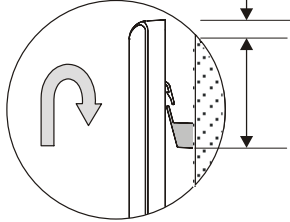
* Part numbers ending in XX have power supplies for those countries or regions, as indicated by ✓ in the columns to the right. When ordering, substitute the XX in the part number with the country code as follows:

- NA = U.S. and Canada
- UK = United Kingdom
- EU = European Union
- AU = Australia

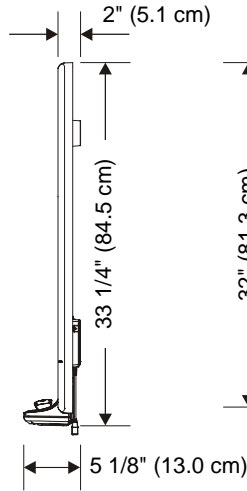
SMART Board™ Interactive Whiteboard

Specifications – Model 640

Leave at least 5/8" (1.6 cm) headroom to wall mount the SB640

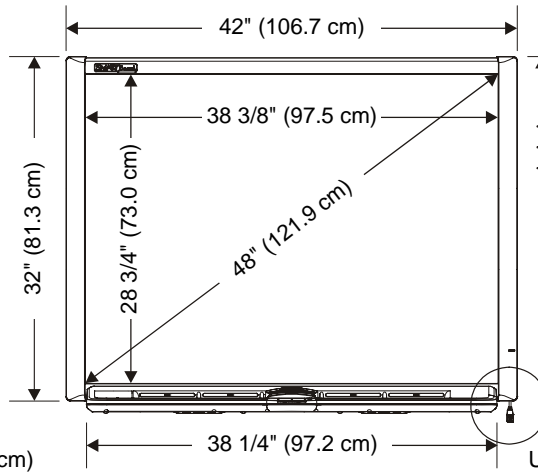


Distance from the bottom of the wall mount bracket to the top of an installed interactive whiteboard is 4 1/4" (10.8 cm)



Wall Mounted Cut Away View

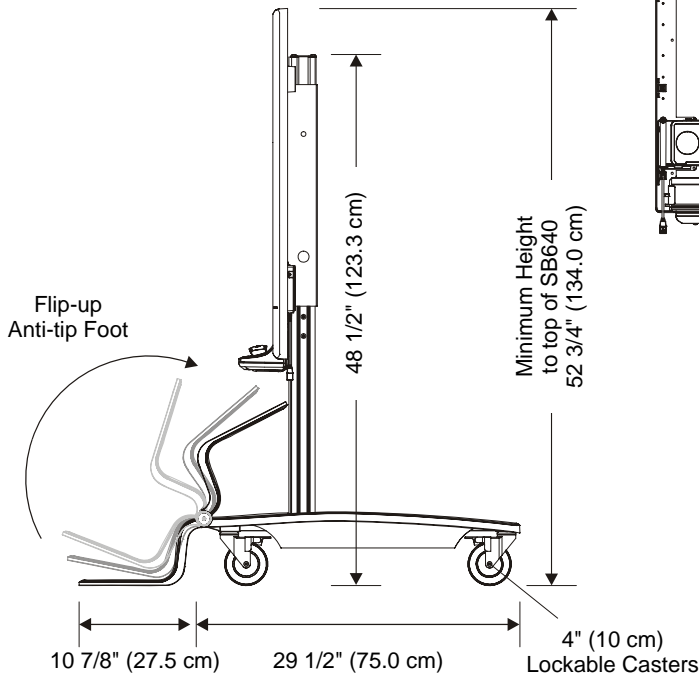
Wall Mounted Side View



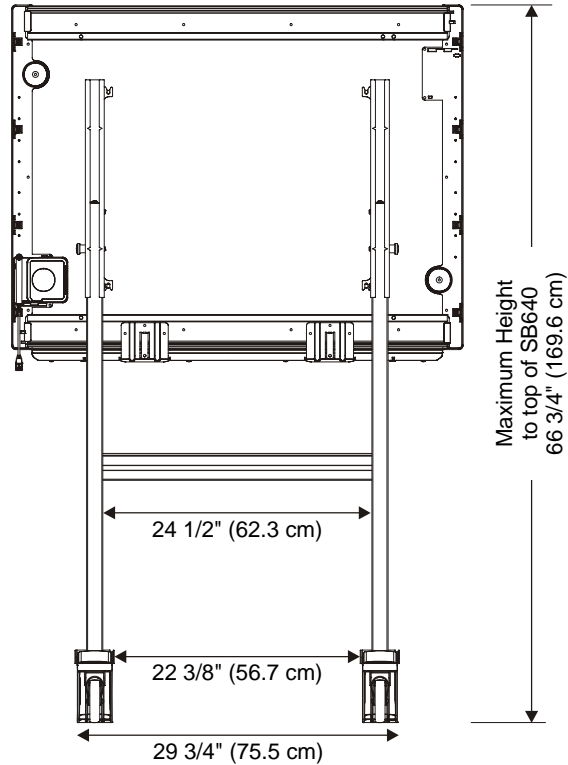
Recommended wall-mounted installation height to top of SB640 for average sized adults is 73 3/4" (187.3 cm)

USB Connection Location

Wall Mounted Front View



Floor Stand Mounted Side View (lowest position)



Floor Stand Mounted Back View (highest position)

All dimensions +/- 1/8" (0.3 cm)

